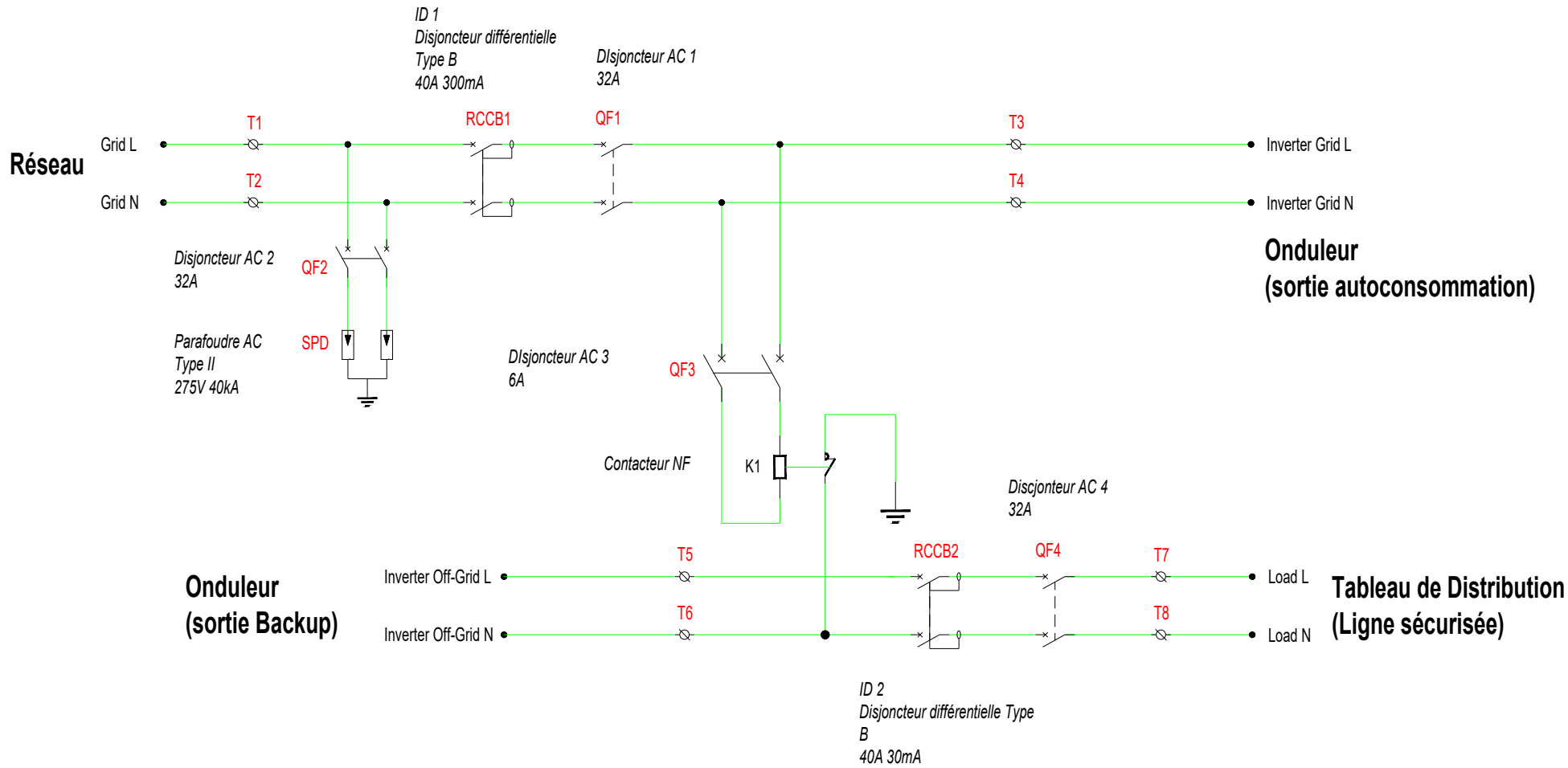


number	label	The name of the	specifications	quantity	note
1		CABLE GLAND	PG21 SEALING RANGE 13-18mm	4	
The contract no		Tank no		Factory number	
		BBWX-2(AC230V,NCH8-40/11)			
		Coffret AC avec Backup			
tag	Change the file no	The signature	The date of	Pattern marker	The proportion
design		standardized			
drawing		Review and approval			
check		approval			
process		The date of			
				<b>ZBENY</b> 浙江奔一新能源有限公司 Zhejiang Benyi New Energy Co., Ltd.	



7	T1-T8	Borne	UK10N	8	
6	K1	Contacteur NF	NCH8-40/11 40A AC230V CE	1	
5	QF3	Disjoncteur AC	NXB-40/1P+N C6A AC230V CE	1	
4	QF1、QF2、QF4	Disjoncteur AC	NXB-40/1P+N C32A AC230V CE	3	
3	RCCB2	Disjoncteur DIF	BB1LE-63/1P+N 40A 30mA AC230V Type B CE	1	
2	RCCB1	Disjoncteur DIF	BB1LE-63/1P+N 40A 300mA AC230V Type B CE	1	
1	SPD	Parafoudre AC	BUA-40KA/2 AC275V	1	
number	label	The name of the	specifications	quantity	note

The contract no	Tank no	Factory number
	BBWX-2(AC230V,NCH8-40/11)	
	<b>Coffret AC avec Backup</b>	Pattern marker
tag	Change the file no	The signature
design	standardized	The date of
drawing	Review and approval	
check	approval	
process	The date of	
	<b>Schematic diagram</b>	
		ZBENY 浙江奔一新能源有限公司 Zhejiang Benyi New Energy Co., Ltd