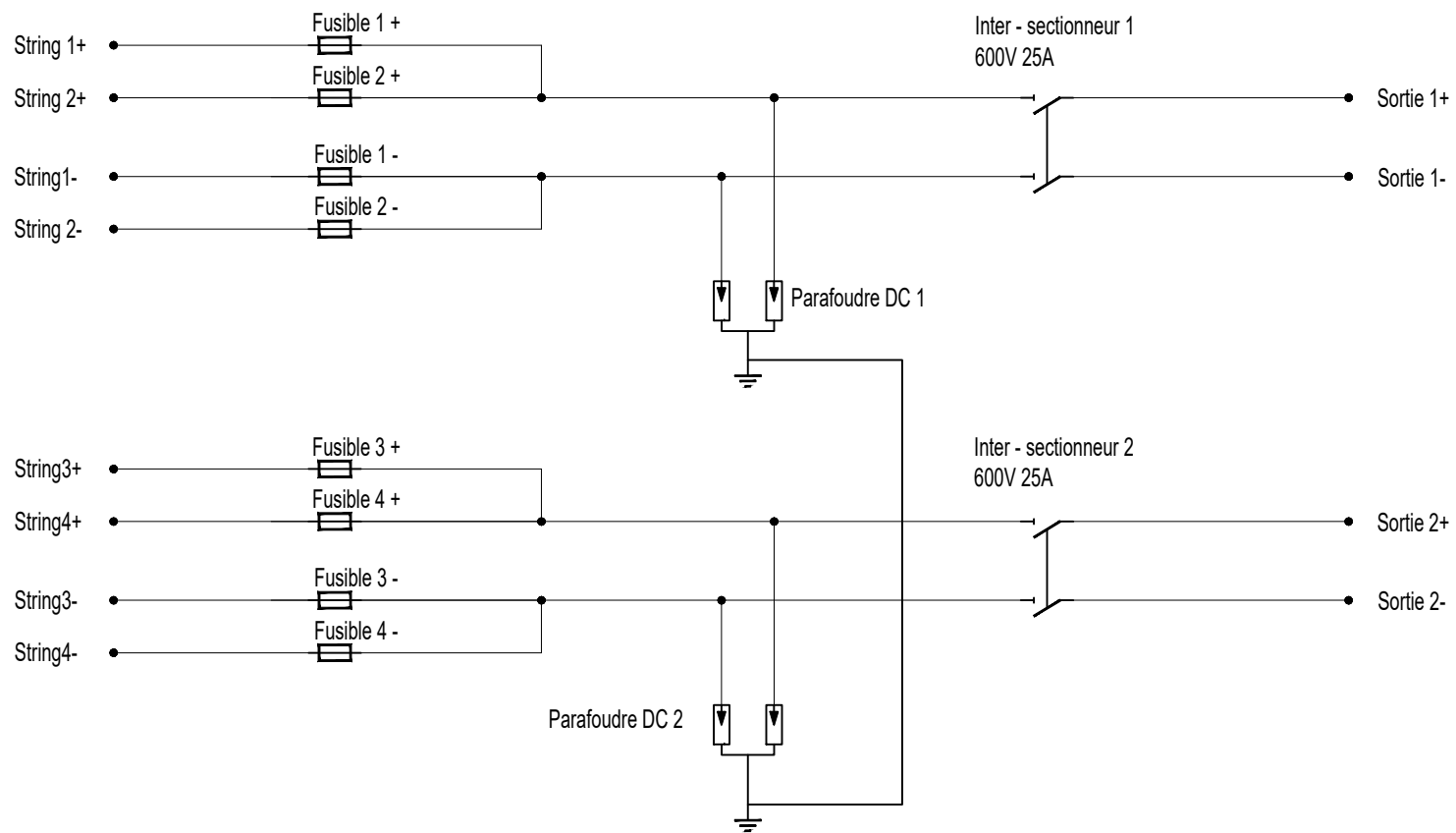


3		Vent valve	SYFM12*1.5	1	
2		CABLE GLAND	PG13.5 SEALING RANGE 6.7-12mm	1	
1		CABLE GLAND	MC4 SEALING RANGE 2.5-4mm	12	
number	label	The name of the	specifications	quantity	note
The contract no		Cabinet No	Factory number		
		BHS-4/2(DC600V)			
		Coffret DC 4/2			
tag	Change the file no	The signature	date	Pattern marker	The proportion
design		standardized			
drawing		Review and approval		ZBENY 浙江奔一新能源有限公司 Zhejiang Benyi New Energy Co., Ltd.	
check		approval			
process		date			
			Arrangement diagram		



4		DC Fuse Link	OSPV 25A DC1000V	8	
3	Fusible	DC Fuse Holder	BR-30/1P DC1000V	8	
2	Inter-sectionneur DC	DC Switch	BB1H-63/2P In=25A DC600V	2	
1	Parafoudre DC	SPD	BUD-40KA/2P DC600V	2	
No.	label	The name of the	specifications	quantité	note
The contract no		Cabinet No	Factory number		
		BHS-4/2(DC600V) Coffret DC 4/2			
tag	Change the file no	The signature	date	Pattern marker	The proportion
design		standardized			
drawing		Review and approval		浙江奔一新能源有限公司 Zhejiang Benyi New Energy Co., Ltd.	
check		approval			
process		date			
		Schematic diagram			