

# SigenMicro Series PV Micro Inverter Installation Guide



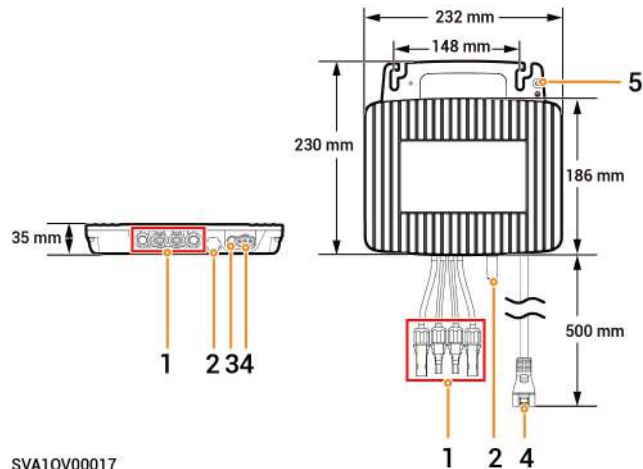
Version: Draft A  
Release date: 2025-04-28



## ⚠ Caution

- Only trained or qualified persons with electrical engineering knowledge can work directly on the equipment.
- Operators should be familiar with national and local laws, regulations, and standards, and the compositions and operating principles of relevant systems.
- Before operations, please carefully read operating requirements and precautions in this document and Important Notice. Any equipment damage caused by improper operation will not be covered under warranty.

## 1 Introduction to Product Appearance



SVA10V00017

No.	Name	Marking	Description
1	DC terminal block	SigenMicro 400 and SigenMicro 500	A PV panel can be connected
		SigenMicro 800 and SigenMicro 1000	Two PV panels can be connected
2	Antenna	-	-
3	Indicator	-	-
4	AC terminal	-	-
5	Grounding screw	-	-

## 2 Inspections Before Installation

- Check whether the components are entirely supplied against the packing list and whether the appearance is in good condition. For any problem, contact your sales representative.
- Parts and accessories supplied with the packing box are personal assets of the owner and must not be taken away from the installation site.
- Check and ensure the completeness of personal protective equipment and installation tools; replenish if necessary.
- Check and ensure the correctness of quantity and specifications of the installer-provided cables; re-prepare if necessary.

### Personal Protective Equipment



Safety hat



Goggles



Dust mask



Protective gloves



Insulating gloves



Insulating shoes



Safety rope

## Installation Tools



Power drill



Vacuum cleaner



Wire cutter



Wire stripper



Cable ties



Heat shrinkable sleeve



Heat gun



Insulated screwdriver set



Insulated sleeve set



Torque socket wrench



Marker



Tape measure

## Installer-provided Cables

### Caution

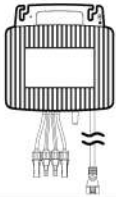
The specifications of installer-provided cables shall conform to the regulations and standards on cables in the countries/regions where they are located.

No.	Cable Name	Recommended Specification
1	Casing protective grounding wire	Outdoors single-core copper flexible cable Cross-sectional area of the conductor: 4 mm <sup>2</sup>

### 3 Site Requirements

#### Tips

- Before installing the equipment, be sure to read the following installation requirements carefully. The company will not bear any responsibility if the equipment malfunctions, is damaged, or even causes a personal safety accident during operation due to failure to operate as required.
- During actual installation, the selection of installation location should comply with local firefighting, environmental protection regulations, and other relevant laws. The specific installation location planning should be subject to the installer or engineering, procurement, and construction (EPC) contracts.



Relative humidity of 0% RH-100% RH

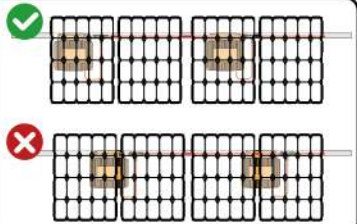
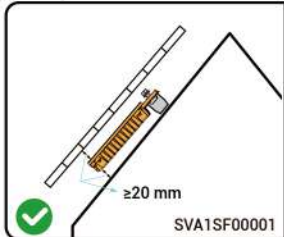
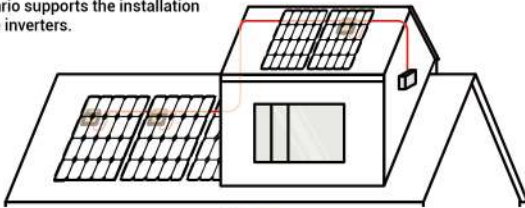


Ambient temperature of -40°F-149°F (-40°C-65°C)



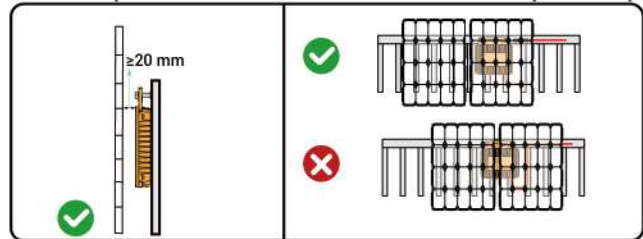
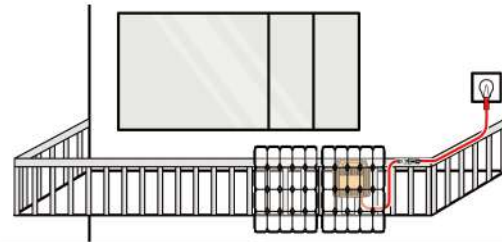
#### Roof installation

This scenario supports the installation of multiple inverters.



#### Balcony installation

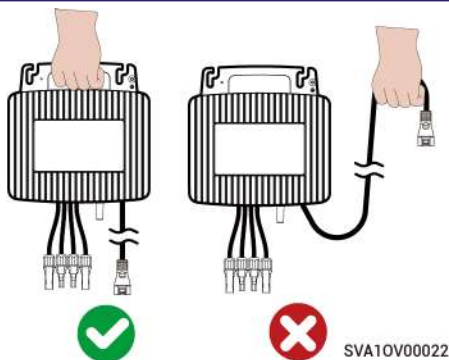
This scenario only supports the installation of one inverter.



## 4 Installation

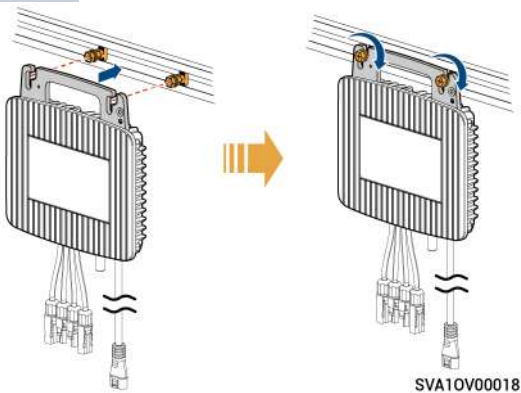
### Tips

The screws used to fix the equipment must be prepared by users.



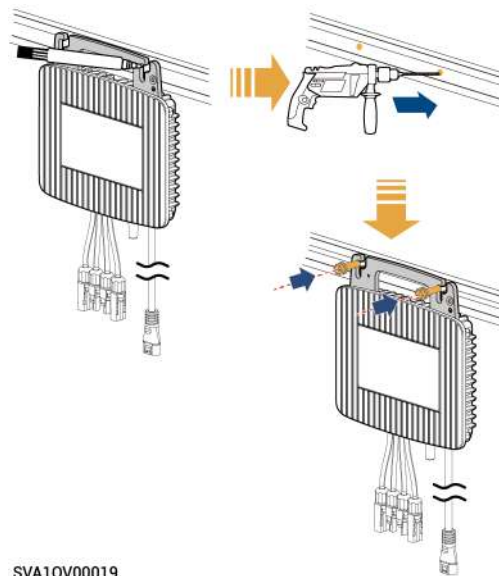
SVA10V00022

### Roof installation



SVA10V00018

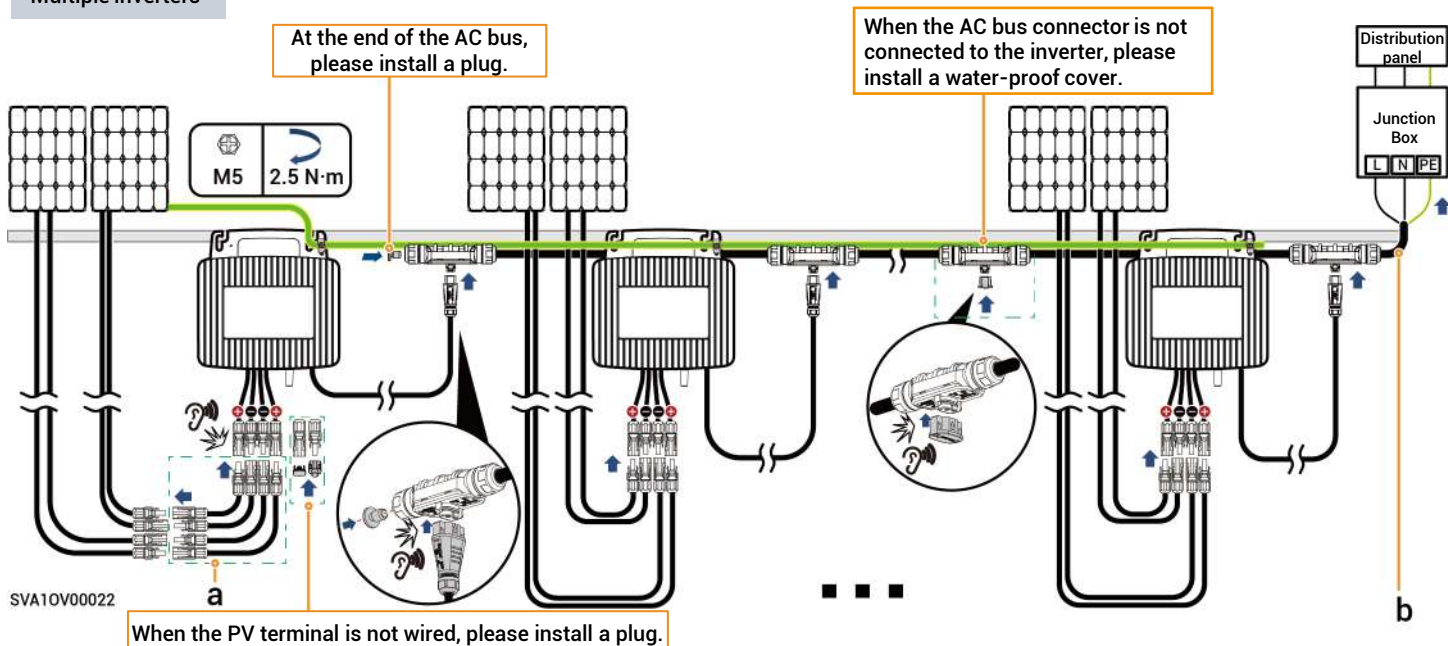
### Balcony installation



SVA10V00019

## 5 Cable Connection

### Multiple inverters



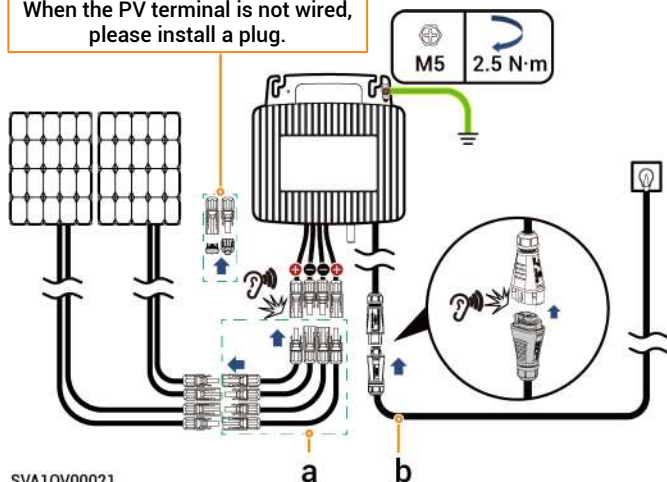
SVA10V00022

No.	Name	Description
a	PV extension cord	Optional. If the length of the PV cord is not enough, it can be purchased from our company.
b	AC bus	Required. Please purchase cables and related accessories from our company.

Reference for AC bus purchase and selection	
Spacing of AC bus connector	Mounting direction of PV panel
1.1 m	Vertical
2.3 m	Horizontal

## Single inverter

When the PV terminal is not wired, please install a plug.

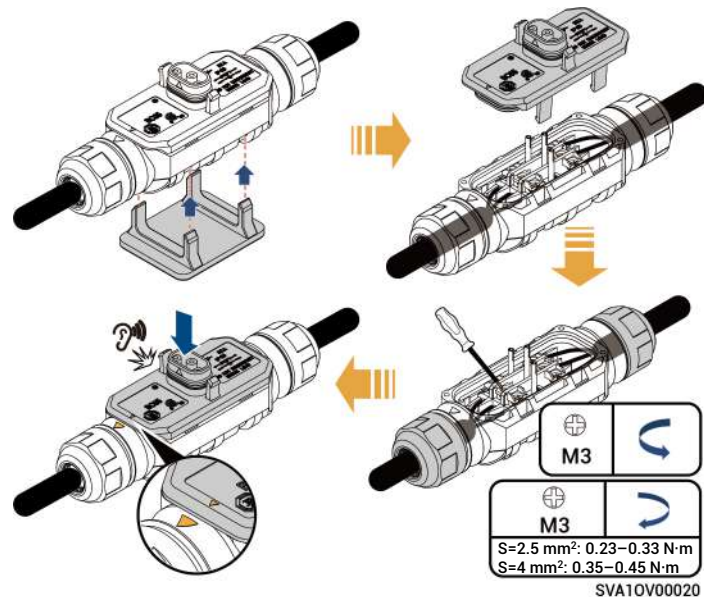


SVA10V00021

No.	Name	Description
a	PV extension cord	Optional. If the length of the PV cord is not enough, it can be purchased from our company.
b	AC adapter cable	Required. Please purchase cables and related accessories from our company.

## AC bus extension/shortening

The needs for extending/shortening the AC bus are met by handling the AC bus connector.



### ⚠ Caution

- When extending the cable, connect it accurately according to the cable marker.
- After handling the AC bus connector, please ensure that the screws and nuts at both ends have been tightened.
- For unwired ports, please install plugs.

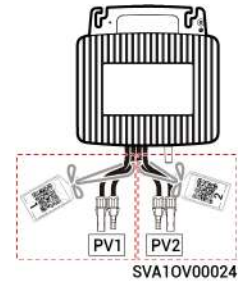
## 6 Paste the QR Code of the Device

### Tips

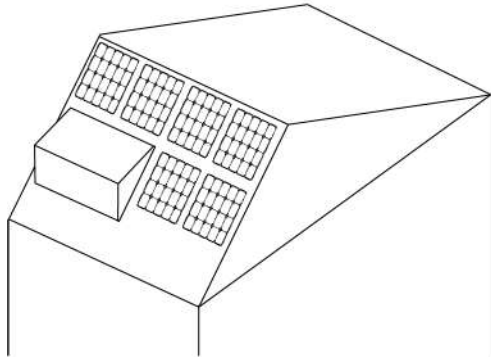
- Please paste the QR code according to the actual connection between the PV panel and the inverter, so that you can create a new system on the App subsequently.
- The label paper of the QR code is rectangular, and can represent the PV panel. You can paste it according to the actual mounting direction of the PV panel (horizontal, vertical, or diagonal).
- Our company will provide 3 types of QR code stickers. Please choose them according to the actual situation. The illustrations in this section are for reference only.

### Caution

During the operation, please keep the locating anchor points at the four corners of the QR code sticker intact and clear. Do not cover or smear them with foreign objects.



Type A: Applicable to scenarios where PV panels are installed regularly



INSTALLATION MAP - Type A

1 To Sheet \_\_\_\_\_

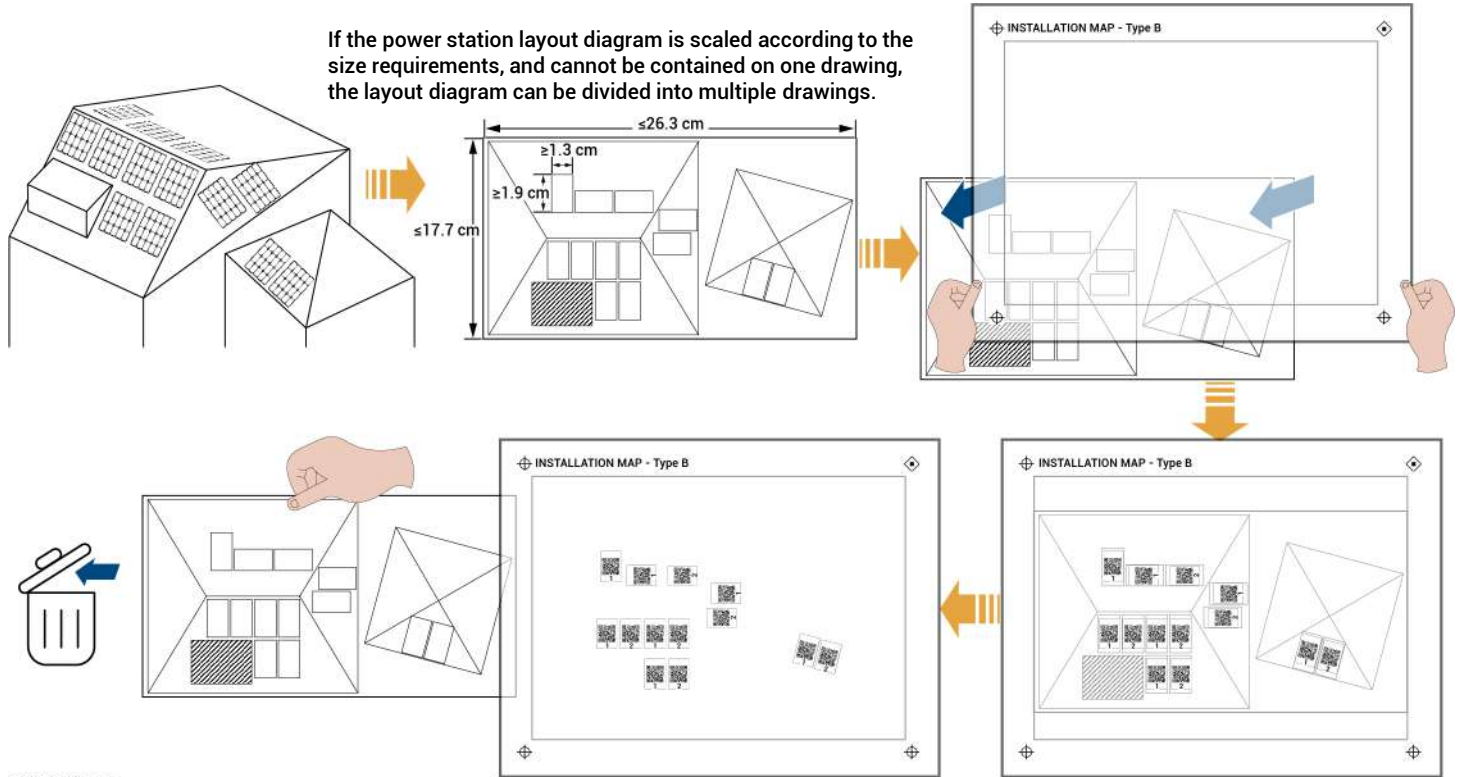
Panel Type:	Customer:	Inverter:	Panel mark length:	Marker Label (optional):						
Address:										
Site:										
Sheet _____ of _____										
Column	1	2	3	4	5	6	7	8	9	10
Row	A	QR 1, QR 2	QR 1, QR 2							
B			QR 1, QR 2							
C										
D										
E										
F										

1 To Sheet \_\_\_\_\_

SVA10V00025

**Type B: Applicable to scenarios where PV panels are installed irregularly, and there is a layout diagram**

If the power station layout diagram is scaled according to the size requirements, and cannot be contained on one drawing, the layout diagram can be divided into multiple drawings.



SVA10V00026

**Type C: Applicable to scenarios where PV panels are installed irregularly, and there is no layout diagram**

You can plan the location where the QR code is pasted on the Type C-shaped paper by yourself, which is recommended to be consistent with the actual layout of PV panels.

## 7 Power-on

1. Check that the cables have been correctly connected.
2. Turn off the upstream AC switch of the inverter, and observe the indicator.

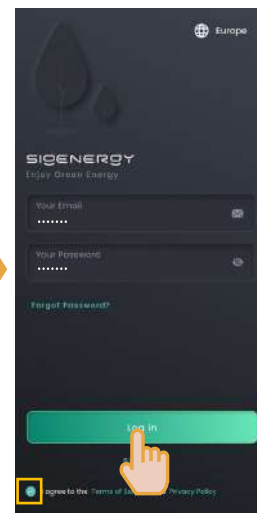
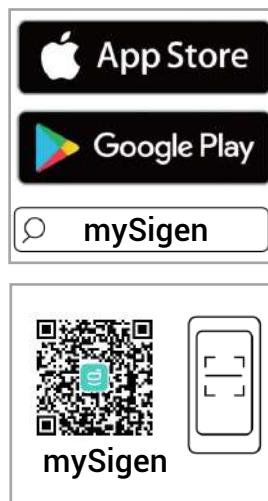


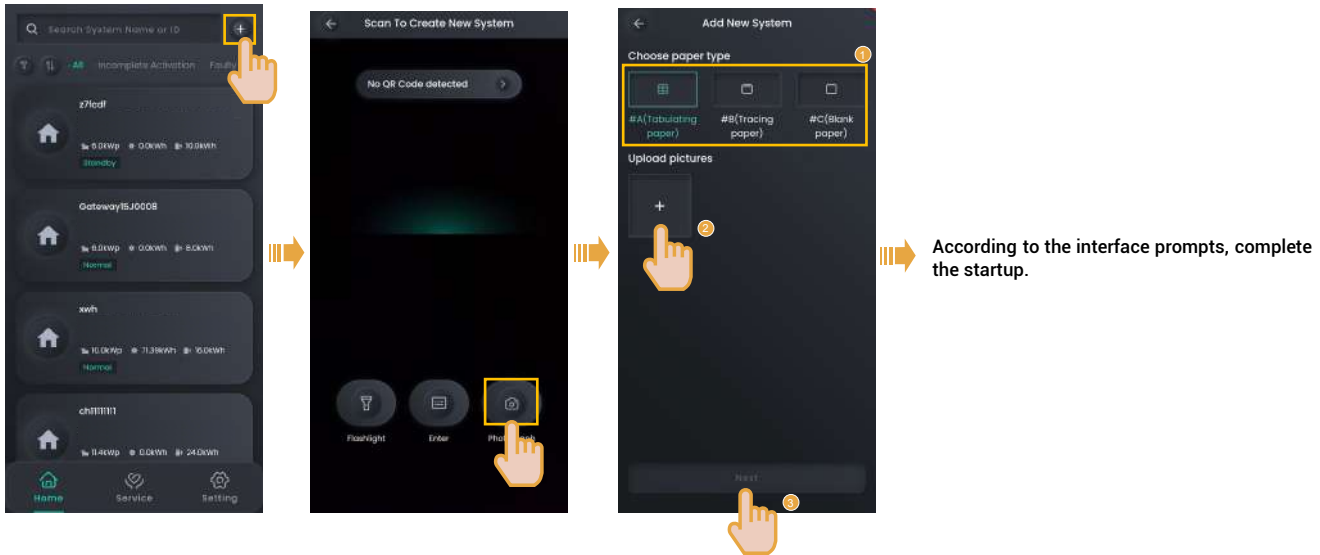
Indicator

Color	Status	Meaning
	Blink quickly	The device is starting normally.
	Slow flashing	The system generates electricity normally, the equipment is successfully connected to the grid, and the communication is normal.
	Slow flashing	The system generates electricity normally, the equipment is successfully connected to the grid, but the communication is abnormal.
	Blink quickly	The device fails to start.
	Slow flashing	The device is not connected to the grid, or the connection is abnormal.
	Steady on	Abnormal protection against ground impedance on the DC side.

## 8 Download and Startup of mySigen App

- 1 Please visit <https://www.sigenergy.com> and go to "Partner" → "Register Now" and sign up for your account.
- 2 Download the mySigen app to initiate the creation of a new system for your equipment.





**3** An installer should ask the owner to check the email titled "sigencloud" to activate the account within 24 hours after creating a new system.

Sigenergy Technology Co., Ltd.



Website

LinkedIn

YouTube

[www.sigenergy.com](http://www.sigenergy.com)



Copyright © 2025 Sigenergy Technology Co., Ltd. All rights reserved.

The information provided in this document is for reference only. The information in the document is legally collected and maintained as reliable, accurate, and complete as possible, but the accuracy or completeness of the information described in the document is not guaranteed. This document is not intended as a moral, responsible or legal basis or evidence. Sigenergy Technology Co., Ltd. will supplement, correct and revise relevant information at any time, but will not guarantee its timely release. Sigenergy assumes no responsibility for the information provided in this document or for any direct or indirect effects or consequences arising therefrom. The copyright of this document is only owned by Sigenergy Technology Co., Ltd., and shall not be reproduced, copied, or published in any form by any organization or individual without prior written permission. Sigenergy Technology Co., Ltd. reserves the right to modify and the final right to interpret the terms of this disclaimer.